

Quotation Request

Please provide us with the following information:

1. Project details

- a. Site / Project name
- b. Site address and postcode

2. Customer information

- a. Name
- b. Contact details

3. Product details

- a. Cloak Type
- b. Dimensions (mm)

- Ac -
- Ad -
- B -
- C -
- D -
- E° -

- c. Shade of Grey (circle as appropriate)

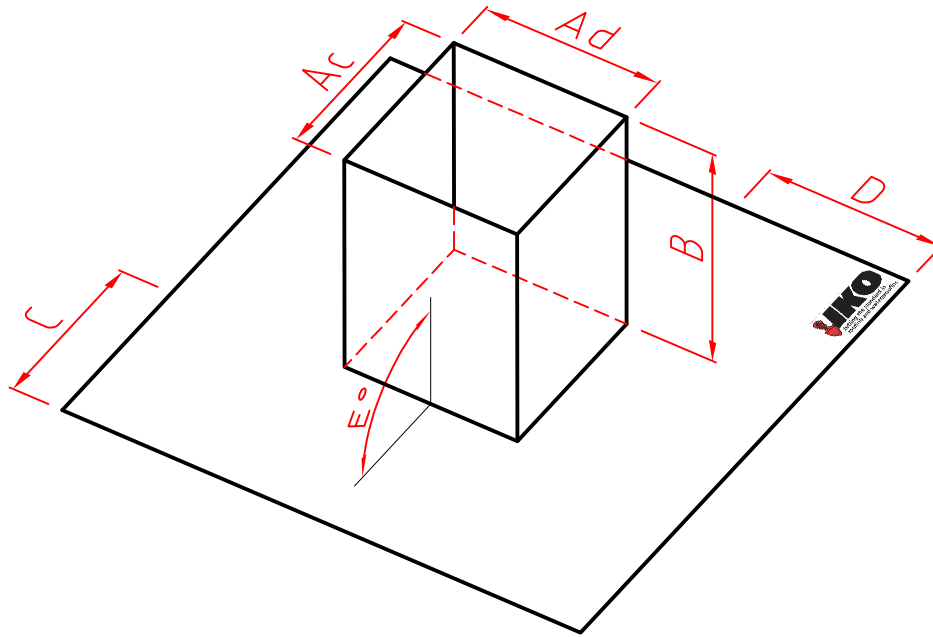
Light / Mid / Slate

- d. Quantity

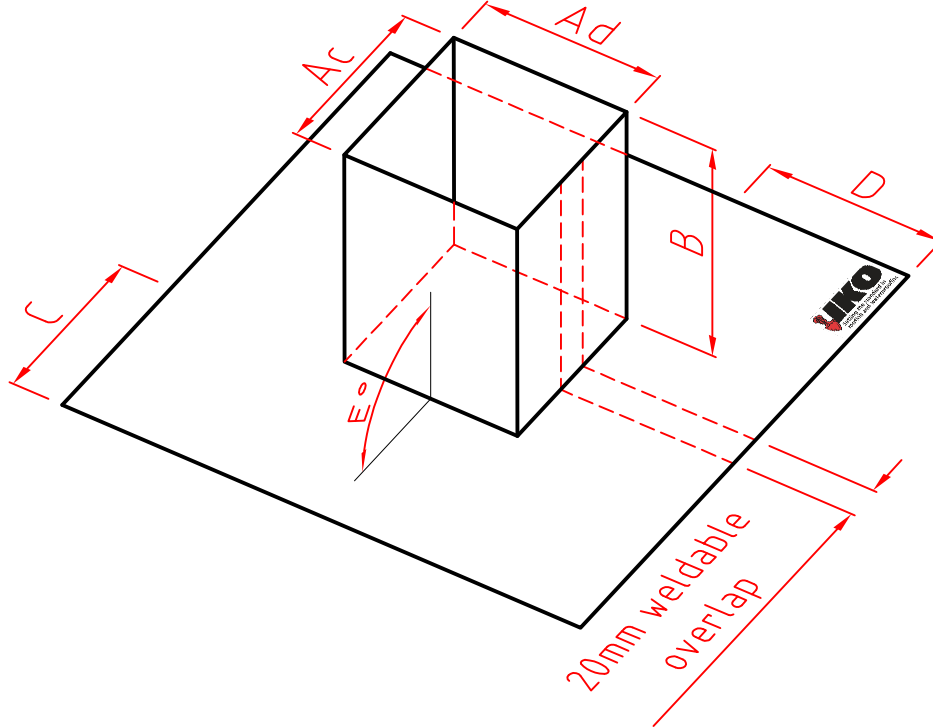
Please complete and send to IKO Technical Services:

Email: technical@ikogroup.co.uk
 Fax: 08444 127 229

TYPE 1



TYPE 2



1. INSTALLATION OF SINGLE PLY MATERIALS MUST BE IN ACCORDANCE WITH RELEVANT SECTION 5 OF SPRA DESIGN GUIDE 2012.

2. ALL DRAWINGS ARE THE COPYRIGHT OF IKO PLC TECHNICAL SERVICES.

NOTES:



Appley Lane North,
 Appley Bridge,
 Wigan,
 Lancashire **IKO armourplan**
 WN6 9AB
 TEL: 08444 127 228
 EMAIL: technical@ikogroup.co.uk

DRAWING TITLE:

Armourplan Pre-formed
 Column Cloak

DATE: 2012	DRAWN BY: TMS	SCALE: NTS
DRAWING No: AP COL 2.1		REVISION: